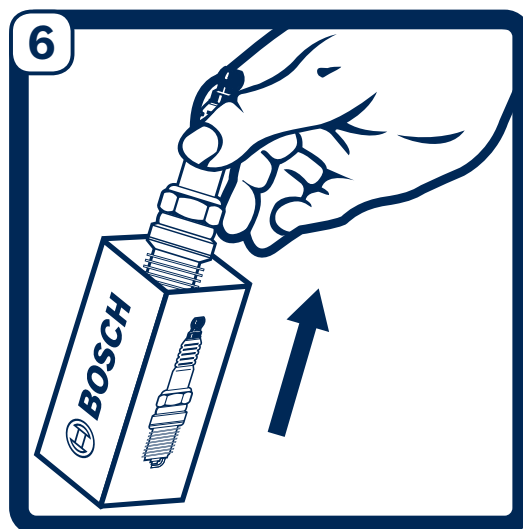
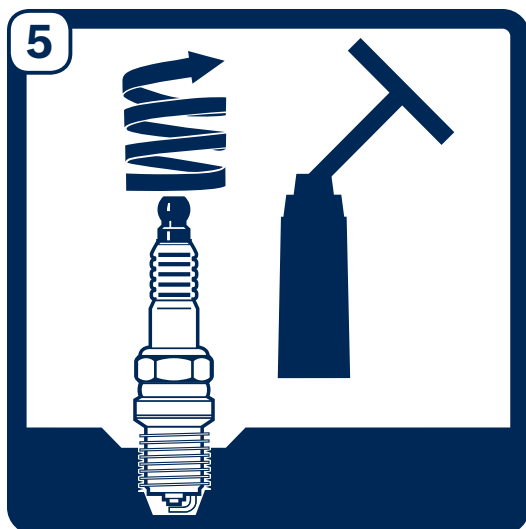
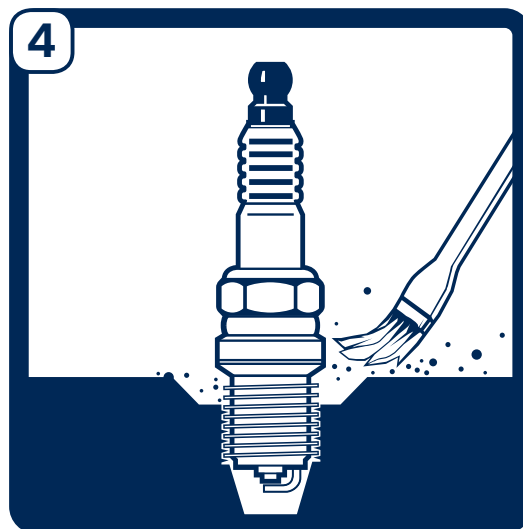
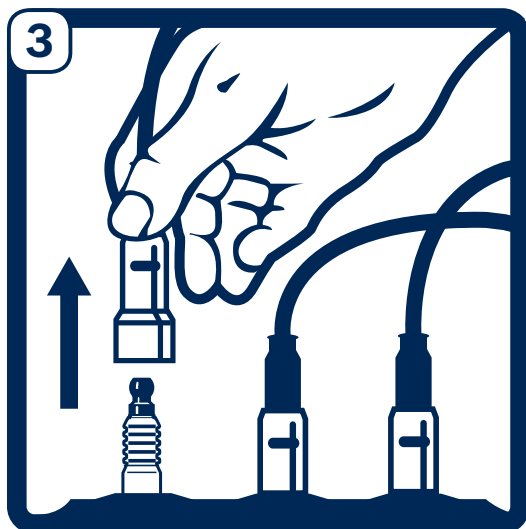
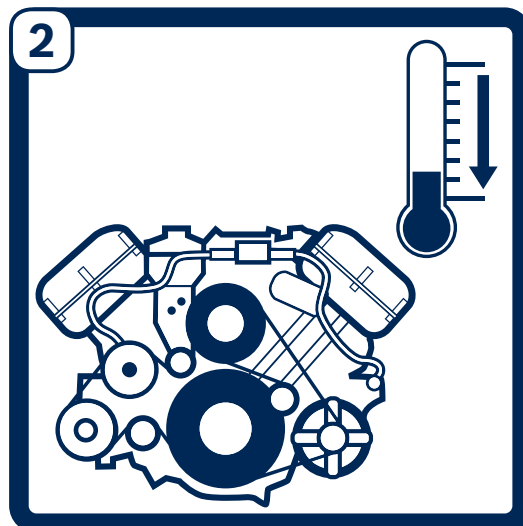
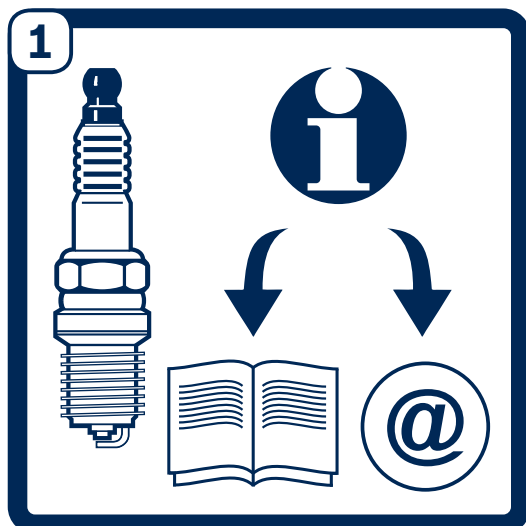


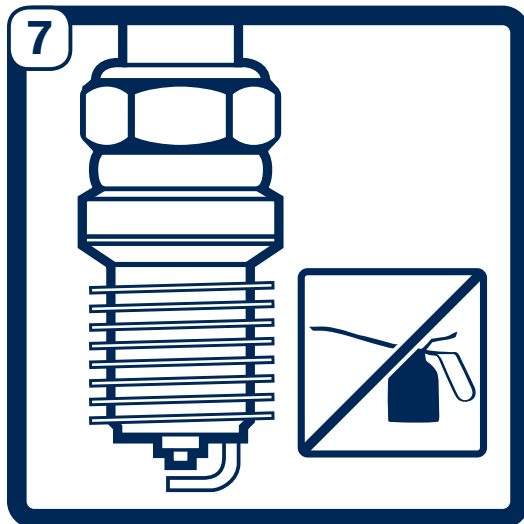
Spark Plugs

ERC



BOSCH





9a

M10x1	12 Nm	90°
M12x1,25	23 Nm	90°
M14x1,25 < 13 mm	17 Nm	90°
M14x1,25 > 13 mm	28 Nm	90°
M18x1,5	38 Nm	90°

9b

M12x1,25	23 Nm	X
----------	-------	---

9c

M14x1,25	15 Nm	15°
M18x1,5	20 Nm	15°

The diagram shows a spark plug on the left. To its right is a circular inset showing a close-up of the hexagonal base. Further right is a wrench icon with the text 'Nm' and an arrow pointing to the hex base. To the right of the wrench is a hexagon with a diagonal line and the text '15°'. Below these elements is a table with two rows of specifications.

