

## Fuel pressure regulator for various vehicles

si 0015 **GB**  
VHH 11.95

| Vehicle                                 |                       | Product: Fuel pressure regulator |                      |               |               |
|---|-----------------------|----------------------------------|----------------------|---------------|---------------|
| Manufacturer ref. no.*)                 | Press. regulator type | Pressure (bar)                   | Pierburg-ref. no.    | O.E. no.*)    | Bosch-        |
| Audi, various                           | B                     | 3,0                              | <b>7.21476.00/50</b> | 037 133 035 A | —             |
|   | A                     | 4,0                              | <b>7.21605.01/51</b> | 078 133 534   | 0 280 160 516 |
| BMW, various                            | C                     | 3,0                              | <b>7.21197.10/60</b> | 1 711 543.9   | —             |
|   | C                     | 3,0                              | <b>7.21197.11/61</b> | 1 715 097.9   | —             |
|   | C                     | 2,5                              | <b>7.21197.12/62</b> | 1 711 542.9   | —             |
|   | C                     | 3,0                              | <b>7.21197.13/63</b> | 1 717 839.9   | —             |
|   | A                     | 3,0                              | <b>7.21548.00/50</b> | 1 729 320     | 0 280 160 503 |
|   | A                     | 3,5                              | <b>7.21548.01/51</b> | 1 729 319     | 0 280 160 504 |
|   | A                     | 3,5                              | <b>7.21548.01/51</b> | 1 731 615     | —             |
| KHD                                     | B                     | 1,3                              | <b>7.21707.00/50</b> | 0 417 1630 ED | —             |
|   | B                     | 1,3                              | <b>7.21976.00/50</b> | 0 417 1874 ED | —             |
| Lucas for various vehicle manufacturers | C                     | 2,5                              | <b>7.21311.02/52</b> | 84 924 A      | —             |
|   | C                     | 3,0                              | <b>7.21311.03/53</b> | 70 375 A      | —             |
|   | C                     | 3,0                              | <b>7.21410.00/50</b> | 70 358 A      | —             |
|   | C                     | 3,0                              | <b>7.21410.02/52</b> | 70 374 A      | —             |
|   | C                     | 3,0                              | <b>7.21511.00/50</b> | 73 363 A      | —             |
|   | C                     | 3,0                              | <b>7.21511.02/52</b> | 70 384 A      | —             |
| Rover                                   | C                     | 2,5                              | <b>7.21535.00/50</b> | AUU 1630      | —             |
|   | C                     | 3,0                              | <b>7.21535.03/53</b> | MKW 10005     | —             |
|   | C                     | 2,5                              | <b>7.21535.04/54</b> | MKW 10012     | —             |
|   | C                     | 3,0                              | <b>7.21535.06/56</b> | MKW 10008     | —             |
|   | C                     | 3,0                              | <b>7.21547.01/51</b> | AUU 1662      | —             |
|   | B                     | 3,0                              | <b>7.21604.01/51</b> | MKW 10006     | —             |
| VW, various                             | A                     | 3,0                              | <b>7.21476.00/50</b> | 037 133 035 A | —             |
|   | A                     | 3,0                              | <b>7.21477.00/50</b> | 037 133 035 E | 0 280 160 710 |
|   | A                     | 3,0                              | <b>7.21605.00/50</b> | 037 133 035 C | 0 280 160 505 |
|   | A                     | 3,0                              | <b>7.22017.02/52</b> | 037 133 035 H | 0 280 160 507 |
|   | A                     | 4,0                              | <b>7.21605.01/51</b> | 078 133 534   | 0 280 160 516 |
|   |                       |                                  |                      | 078 133 534 A | 0 280 160 517 |

The above mentioned fuel pressure regulators of the types A/B/C (see reverse side) are a standard feature of various vehicles of the above mentioned car makers. Pressure regulators affect the function of an injection system to a considerable extent.

In case of problems, like bad performance, and in case of starting difficulties - especially when the engine is hot - the pressure regulator should always be checked, apart from the fuel pump and the filter. Apart from the system pressure, the holding pressure should also be checked.

For changes concerning parts matching and replacements, refer to the applicable catalogues.

\*) The reference numbers mentioned here are used for comparison only and must not be shown on invoices sent to final consumers.

## Tests

As described in the operating instructions of our fuel pressure test instrument.

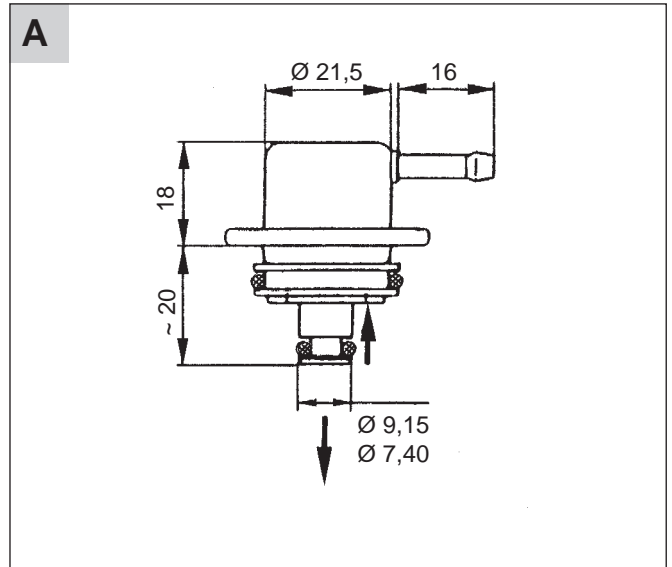
Test instrument order number: **4.07360.11/4.07360.50**

## Test values

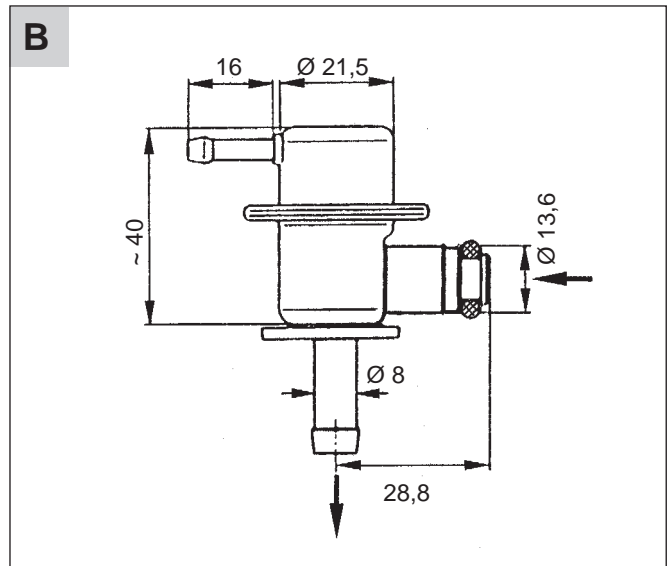
According to the data provided by the vehicle manufacturer, according to the injection manual Autodata or the Automotive Data Manual.

## Notes:

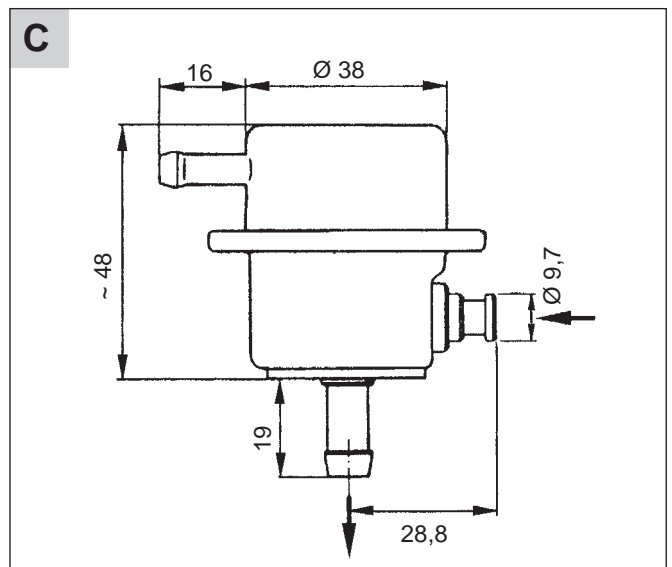
The pressure regulators shown under A/B/C are similar to the instruments listed here.



Dimensions in mm



Various holder and connection dimensions in mm



Various holder and connection dimensions in mm