



**MEYLE**<sup>®</sup>  
Products

MEYLE No.  
11-16 010 0005/HD

Reference No.  
3640.32  
13 02 368 080



## Ball joint

to fit

**Citroën Jumper, Peugeot Boxer, Fiat Ducato**



as OE



### Problem

- High dynamic strain on ball joints
- High surface pressure wears on the tie rod end (ball head diameter 32mm)

### Effect

- Worn joints
- Noise from the front end
- Impaired driving safety



### Solution

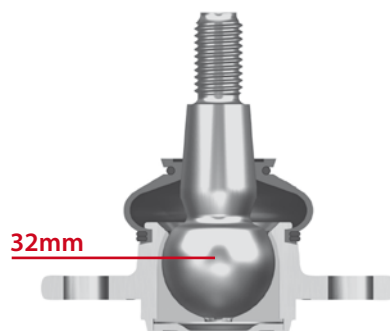


- Use of extremely long-wearing plastic ball joint sockets (in aviation tried and tested material)
- MEYLE high-tech grease
- Increased ball head diameter (33mm)

### Advantage

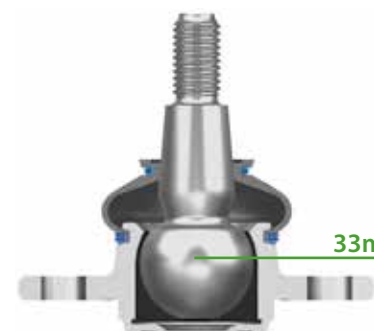
Ball joint with long service life

as OE



32mm

MEYLE-HD version



33mm