

NEW

pi 0012 GB

VHH 05.99

Vacuum pumps

for all Audi/VW/Seat/Skoda and Ford Galaxy
with 1.6 or 1.9 diesel engines

Pierburg-No.7.24808.50.0 for 1.6 D

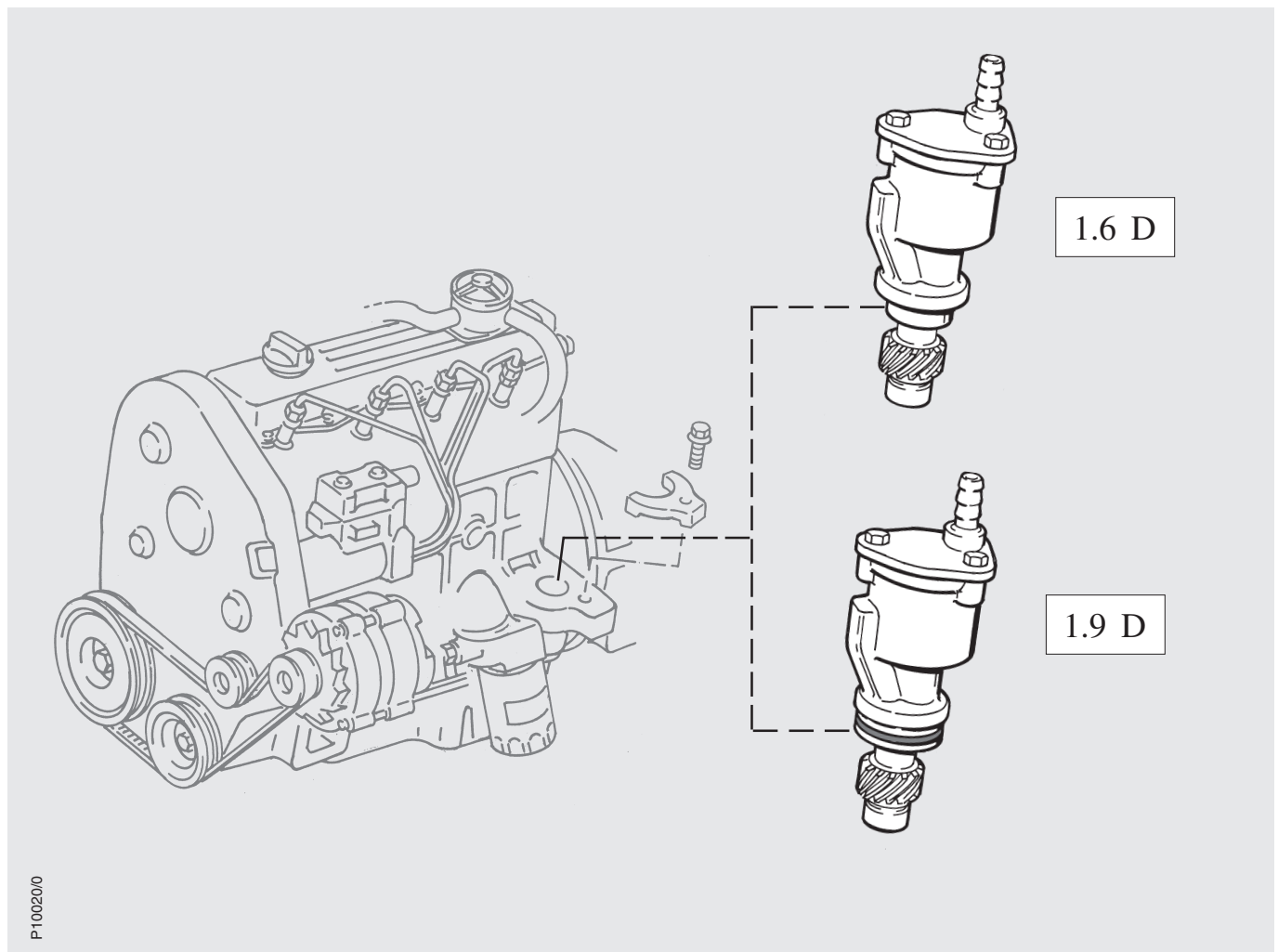
O.E.-No. *)	068 145 101 A	068 145 101 D
	068 145 101 B	068 145 101 E
	068 145 101 C	068 145 101 G

Pierburg-No.7.24808.51.0 for 1.9 D

O.E.-No. *)	028 145 101 A
-------------	---------------

Pierburg now has two vacuum pumps for all Audi/VW/Seat/Skoda and Ford-Galaxy with 1.6 or 1.9 diesel engines (D/TD/TDi/SDi/GTD-4-cylinder).

As vacuum pumps are safety components, no brake check should be made without testing the vacuum pump.



Reg. Nr. 5/4 00-133.1-GB

P100200

Subject to change of illustrations and text.
For changes with regard to respective matching and replacements, refer to the catalogs, TECDOC-CD or systems basing on TECDOC-data, which are currently in effect.

*) The listed reference numbers should be listed for comparison only.
They may not be used on invoices sent to final users.