



MEYLE[®]
Products

MEYLE No.
214 710 0001/HD

Reference No.
51840600



Subframe mount

to fit

Fiat 500L, Bravo II, Linea, Punto, Grande Punto, Stilo,
Stilo Multi Wagon / Lancia Delta III



as OE



Problem

Weak sealing of the hydro-bushing,
hydraulic fluid leaks out

Effect

- Rattling from the rear axle and an overall decline of the handling of the vehicle
- Reduced driving comfort



Solution

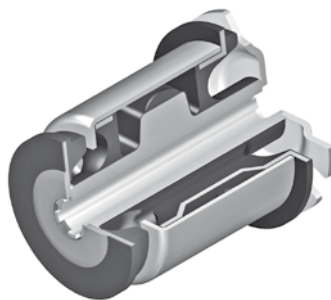


Hydro mount replaced by an optimised full-rubber mount with a larger bonding surface

Advantage

- Leakage no longer possible
- Significantly longer service life without restriction of driving comfort

as OE



MEYLE-HD-version

