



MEYLE[®]
Products

	MEYLE No.	Reference No.
Tie rod end, left	16-16 020 0019/HD	6025 370 229
Tie rod end, right	16-16 020 0020/HD	6025 370 230
Tie rod, left	16-16 030 0021/HD	6025 370 493
Tie rod, right	16-16 030 0022/HD	6025 370 494

Tie rod end to fit Renault Avantime, Espace III



as OE



Problem

Intense strain and high surface pressure wears on the tie rod end (head \varnothing 22mm)

Effect

Noise and play in the steering



Solution

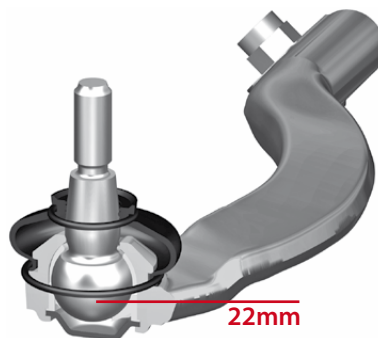


- Increased diameter of the ball head of the tie rod end to 26 mm
- Implementing wear-resistant plastic seats in the ball joint (in aviation tried and tested material)
- MEYLE high-tech grease

Advantage

Significant longer lifetime

as OE



MEYLE-HD- version

