

HOW TO POSITION ASSEMBLY PARTS

Audi A4 rear

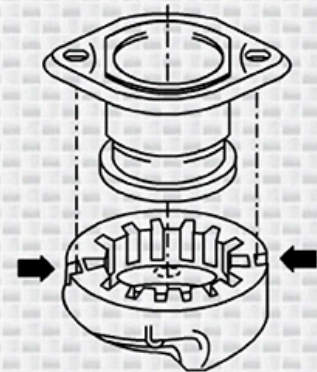
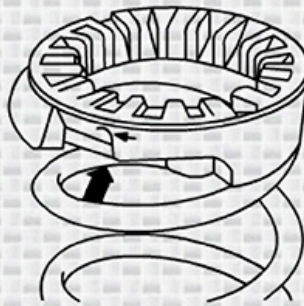


FI076EU

To avoid strong friction during the suspension movement, it is extremely important that the following parts are correctly positioned:



1. Put the new shock absorber in a strut clamp.
Extend the sleeve side of bottom eye towards the left (arrow).
2. Align the spring cushions to the axle of the bottom eye mounting (arrow).



3. Rubber spring block to be positioned in such a way that the coil end fits to the rubber end (with arrow on rubber).
4. Position upper seat as follows:
Bolt Mounting holes are to be aligned with the grooves in the rubber spring block.



Using Monroe® K81:

5. Assemble all strut parts and tighten central nut only by hand.
6. Insert lower positioning pin of K 81 with dia 10 mm in the lower mounting eye of the shock absorber.
7. Put the alignment seat of K81. Put 2 bolts M8 through the holes marked
 - "A4 REAR L + R" and screw through the upper spring seat hole

- Axis A = Bottom eye mounting actually turned 50° (a) to axis B = Upper Spring seat (+/-2°).
- Top fixing lugs to be positioned as follows:
 - axis C = fixing lugs turned 90° to
 - axis A = bottom eye mounting.

LEFT AND RIGHT SPRING SEAT UNIT ARE IDENTICAL PARTS

