

PRODUCT IDENTIFICATION

SAAB 9000



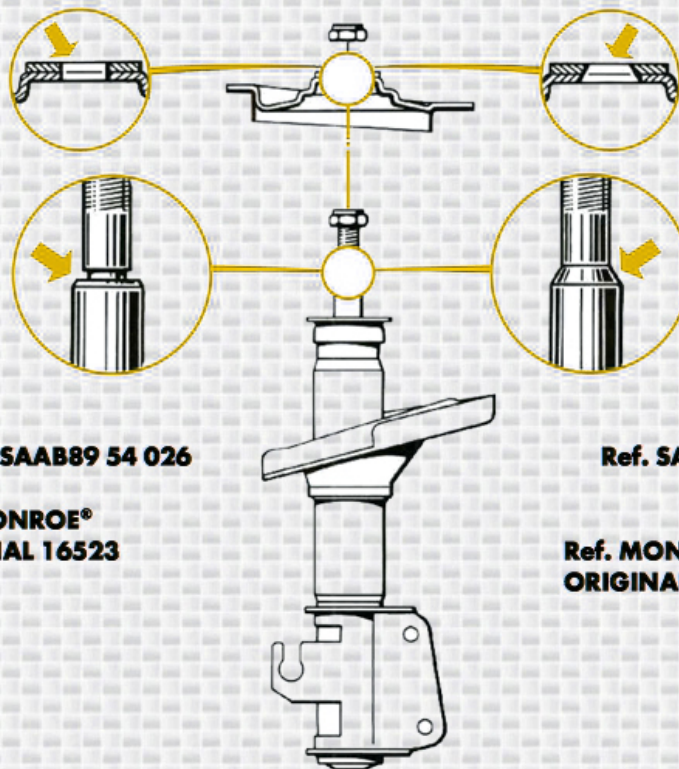
FI004EU

Model 84 → 87
Chassis nr

H 101 54 69 →
H 800 05 55 →

Model 87 →

Chassis no. H 101 54 70 →
H 800 05 56 →



Ref. SAAB 89 54 026

Ref. MONROE®
ORIGINAL 16523

Ref. SAAB 89 67 861
89 71 780

Ref. MONROE®
ORIGINAL 16539