

SPRING SEAT ALIGNMENT

AUDI A4 95 >>



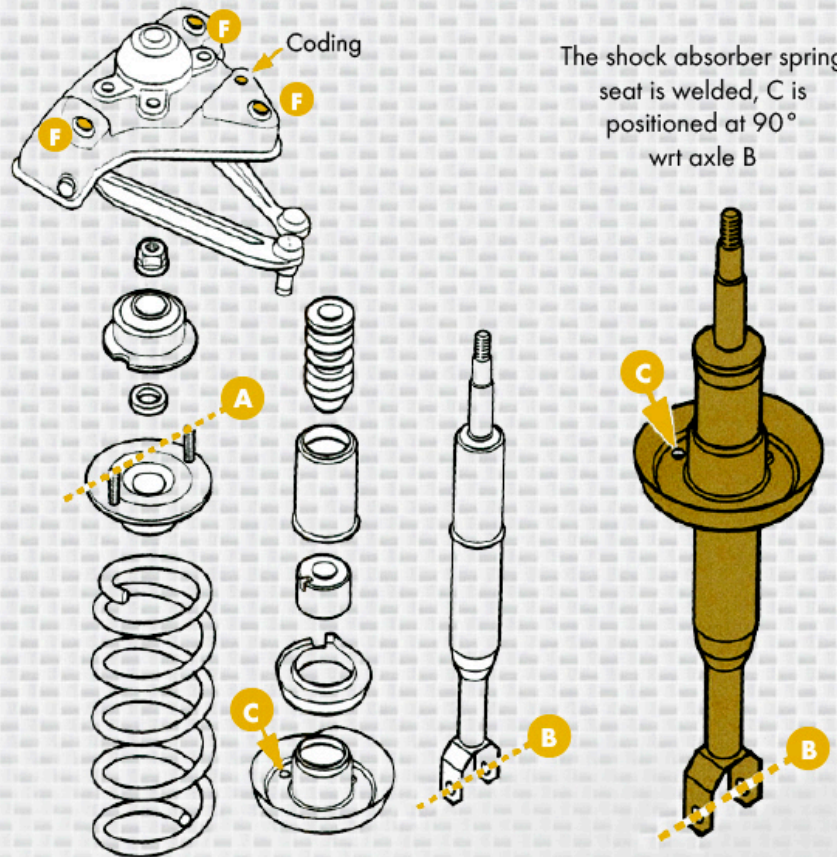
FI056EU

Explanation of codes on car identification plate:

- Chassis Code 1BA >> Standard suspension
- Chassis Code 1BE >> Sport Suspension

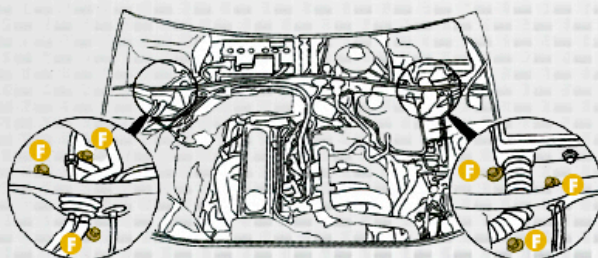
ORIGINAL EQUIPMENT

MONROE®



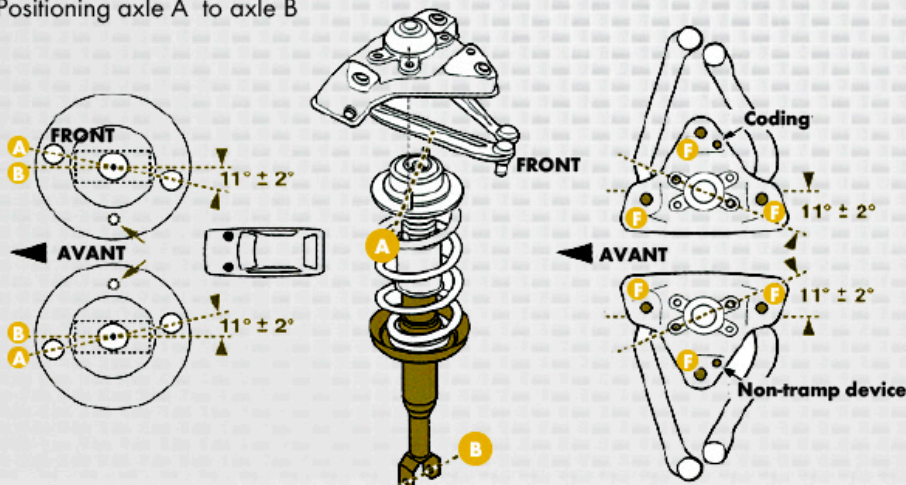
The shock absorber spring seat is welded, C is positioned at 90° wrt axle B

Where to find top mount mountings "F"



	TIGHTENING TORQUES	daN.m
A	Upper pan	6.5
B	Top stem nut	6
C	Upper mounting bolts	2
D	Lower mounting	9
E	Upper mounting arm	4

Positioning axle A to axle B



After intervention geometry check and adjustment is necessary