

TOP MOUNT POSITION

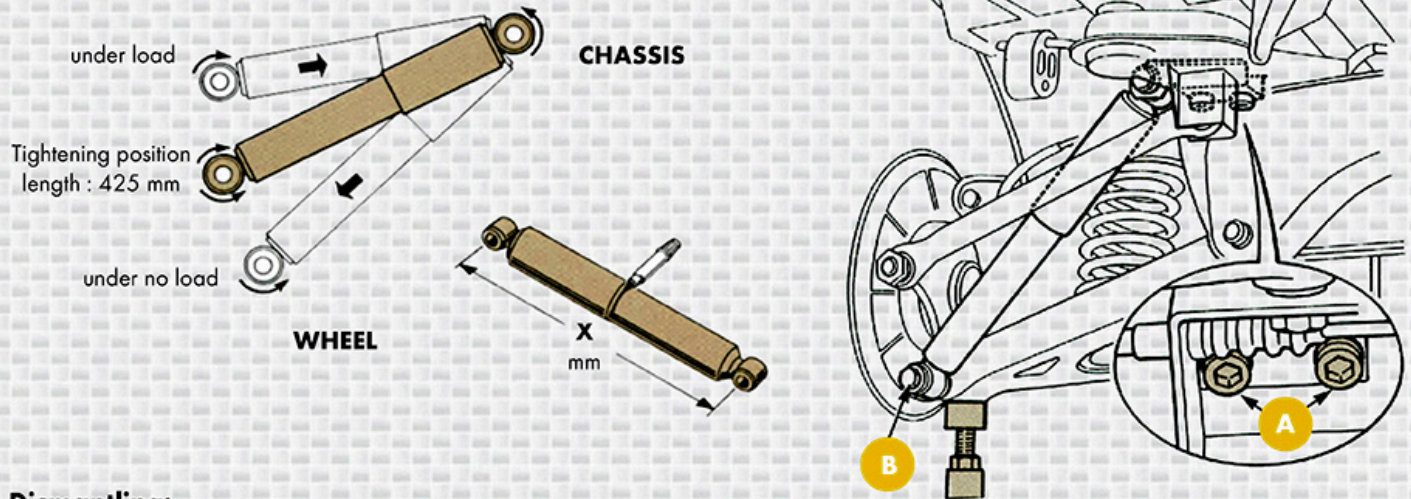
Peugeot 605 Mounting instructions



FI050EU

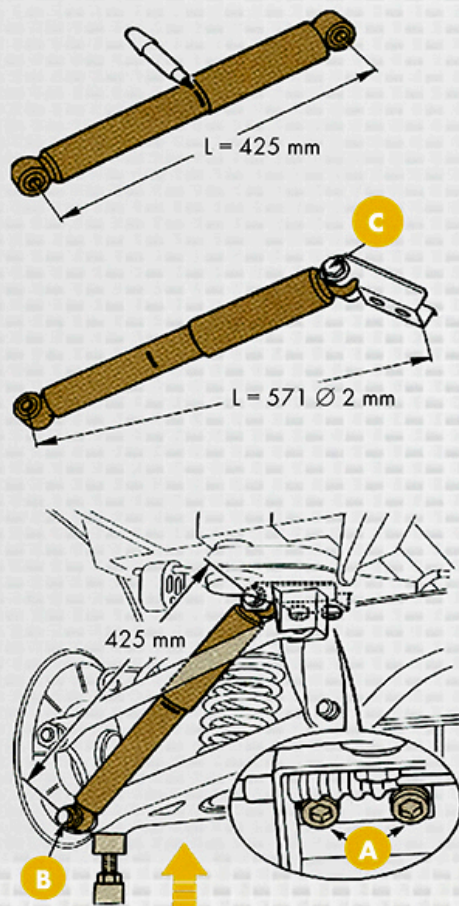
Compress the suspension system when tightening

Tighten the mountings when the shock absorber is at the correct position as shown below.



Dismantling:

- Jack the vehicle & support it safely on axle stands.
- Remove the wheel.
- Place a 'lifting' jack under the lower wishbone (at each side).
- Remove the 2x hex head bolts **A** & lower mounting bolt **B** Remove the complete shock absorber assembly.



RE-ASSEMBLY :

- Put a mark on the new shock absorber (L=425mm).
- Assemble the new shock absorber and the mounting until the dimension L= 571mm is attained (shock absorber in fully extended position).
- Fully tighten torque bolt **C** with the correct torque.
- Refit the shock absorber mounting bracket & bolts.
- (do not fully tighten bolts **A** & **B** at this time).
- Compress the suspension until the dimension mark of 425mm is attained.
- Fully tighten torque bolts **A** & **B** to the specs. set out below.

TIGHTENING TORQUES		daN.m
A	Upper Mounting bracket	4.5
B	Lower mounting	8.5
C	Upper Mounting	4